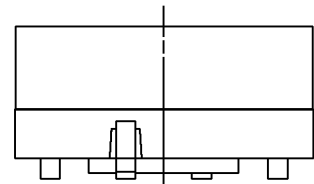
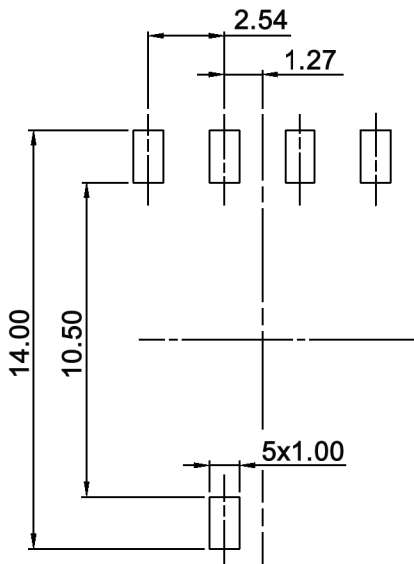


P.C.B. LAYOUT



TYPE	CIRCUIT CHARACTERISTIC																
	CODE	POSITION ● ON															
		0	1	2	3	4	5	6	7	8	9	A	B	C	D	E	F
SMR 5016	1		●		●		●		●		●		●		●		●
	2			●	●			●	●			●	●			●	●
	4					●	●	●	●					●	●	●	●
	8									●	●	●	●	●	●	●	●



Tolerances: ±0.20mm max.	Date	Name
	12/12	dr
Modifications	Date	Name

**SMR 5016**

**30 27 60**

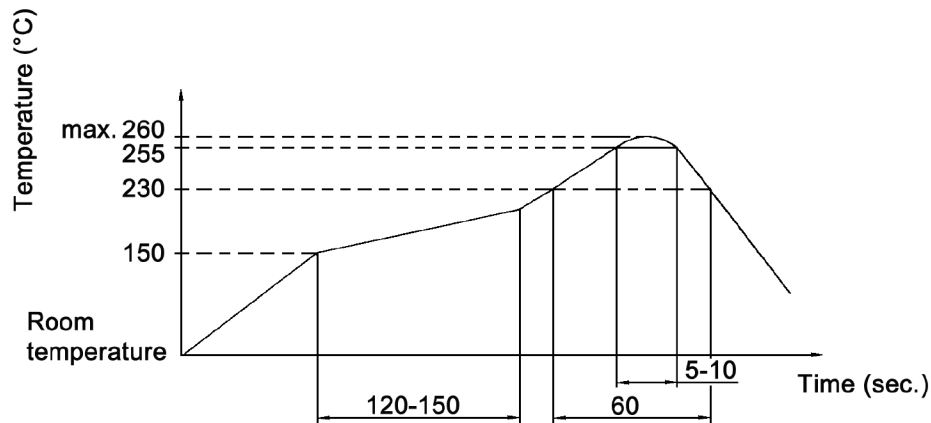
Page

1/3

Specifications:

Contact rating: non-switching: 100mA, 50V DC  
switching: 30mA, 15V DC  
Contact resistance: 100mOhm max.  
Insulation resistance: 1 000MOhm min. at 250V DC  
Dielectric strength: 250V AC for 1 minute  
Operating temperature: -40°C to +85°C  
Mechanical life: 20 000 cycles min.  
Operating force: 250 gf.cm max.  
Material: Base / cover: high-temp. thermoplastic nylon UL94V-0,  
molded black  
Movable contact: alloy copper, gold plated  
Actuator: high-temp. thermoplastic nylon UL94V-0,  
color: yellow  
O-ring: silicone  
Spring: stainless steel  
Terminal: brass, gold plated

Soldering conditions: IR reflow: 260 +/-5°C, 4-6sec.



Tolerances: ±0.20mm max.			Date	Name	<h1>SMR 5016</h1>
			12/12	dr	
			<b>knitter-switch</b>		<h2>30 27 60</h2>
Modifications			Date	Name	Page 2/3

